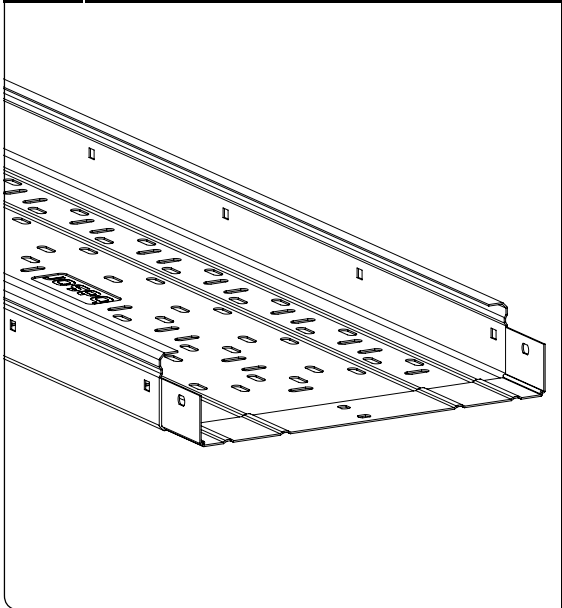


BASORTRAY FRE

NEMA VE1
REV.20/09/2016



FRE



Models (BxH):
100x35; 150x35; 200x35; 300x35; 100x60; 150x60; 200x60; 300x60; 400x60; 500x60;
600x60; 100x80; 150x80; 200x80; 300x80; 400x80; 500x80; 600x80; 100x100; 150x100;
200x100; 300x100; 400x100; 500x100; 600x100.

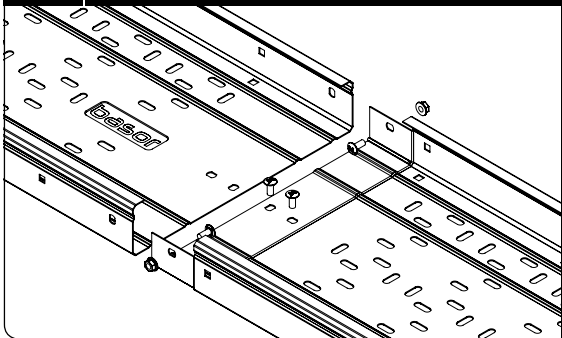
Finishes: PG, HDG.

Characteristics of the cable tray:

- Metallic
- Non flame propagating component
- System with electrical continuity
- Minimum Temperature of -50 °C
- Maximum Temperature of 150 °C
- With metallic coating, resistant to corrosion:
 - PG: 15 microns
 - HDG: 55 microns (higher coating under request)
- Impact Strength: 20J



ASSEMBLY INSTRUCTIONS



- To set up FRE's self-assembly system 4 B1 Bolt&Nut sets are needed.
- The tray installation for an electrical system should NOT run under other types of canalisations such as water, vapour or gas.
- To guarantee a good ventilation we recommend installing the trays keeping a minimum distance of 250 mm between each tray.
- Trays which are placed on supports shall have to keep a gap of 20 mm from the wall to allow for a correct ventilation of the cables.

Accessories:

BASORTRAY FRE family has a wide range of accessories: cover, divider profile, horizontal bend, vertical inside bend, vertical outside bend, tee derivation, cross derivation, as lateral derivation, reduction, union joint, vertical adjustable joint, horizontal hinged joint.

SAFE WORKING LOAD

	CTA kg/m (lb/ft)		Classification	
	5 ft	8 ft	5 ft	8 ft
	1,52 m	2,44 m	1,52 m	2,44 m
H35	111,5 (74,9)	43,6 (29,3)	5A	8AA
H60	515,3 (346,3)	201,3 (135,3)	5C+	8C
H80	-	467,2 (313,9)	-	8C+
H100	-	467,2 (313,9)	-	8C+

SAFETY FACTOR: 1,5.

MAXIMUM FUSE AMPERE RATING / NEC CLASIFICACION

To use the tray as equipment grounding conductor is required to consider the following table:

Model (BxH) mm	Perforated		Solid Bottom	
	Min. Cross-Section mm ² (in ²)	Max. Amp Acc. NEC 392.6	Min. Cross-Section mm ² (in ²)	Max. Amp Acc. NEC 392.6
FRE 100x35	209	60A	265,5	100A
FRE 150x35	262	100A	340,5	100A
FRE 200x35	337	100A	415,5	100A
FRE 300x35	453	200A	565,5	200A
FRE 100x60	262	100A	340,5	100A
FRE 150x60	314	100A	415,5	100A
FRE 200x60	389	100A	490,5	200A
FRE 300x60	517	200A	640,5	200A
FRE 400x60	618	200A	790,5	400A
FRE 500x60	708	400A	940,5	400A
FRE 600x60	798	400A	1090,5	600A
FRE 100x80	348	100A	400,5	100A
FRE 150x80	419	100A	475,5	200A
FRE 200x80	494	200A	550,5	200A
FRE 300x80	588	200A	700,5	400A
FRE 400x80	678	400A	850,5	400A
FRE 500x80	768	400A	1000,5	600A
FRE 600x80	858	400A	1150,5	600A
FRE 100x100	404	100A	460,5	200A
FRE 150x100	457	200A	535,5	200A
FRE 200x100	532	200A	610,5	200A
FRE 300x100	648	400A	760,5	400A
FRE 400x100	738	400A	910,5	400A
FRE 500x100	828	400A	1060,5	600A
FRE 600x100	918	400A	1210,5	600A